

Micron Echosounder

Ultra Compact Underwater Altimeter



The Tritech Micron Echosounder is an addition to the successful family of Micron products.

Designed to be complementary to the Micron sonar, it can also act as a stand-alone altimeter, providing accurate height off the seabed and other subsea distance measurements.

The Micron Echosounder is a robust professional offshore or freshwater altimeter, built to the highest quality standards. It is optimised for operation on small vehicles, as it is both compact and very lightweight in water.

Ideal as an OEM product, being able to accommodate a wide range of voltage inputs, while the small size allows integration into small ROVs. As with all products in the Micron range the Micron Echosounder comes with a main and auxiliary port. The auxiliary port is designed to allow multiple Micron devices to be used simultaneously on an ROV, while requiring only one connection to the surface control computer.

 **SHINYANG**
TECHNOLOGY CO.,LTD
www.shinyangtech.com

www.tritech.co.uk

Stand-alone altimeter for small vehicles

The Tritech Micron Echosounder is an ideal complement to other sensors and sonars on compact ROVs. It is able to be operated as a stand-alone unit or integrated with other devices and gives small vehicles access to accurate sub-sea measurements.

Benefits

- Ultra compact
- Millimetric resolution
- Integrate with Micron family
- Low cost

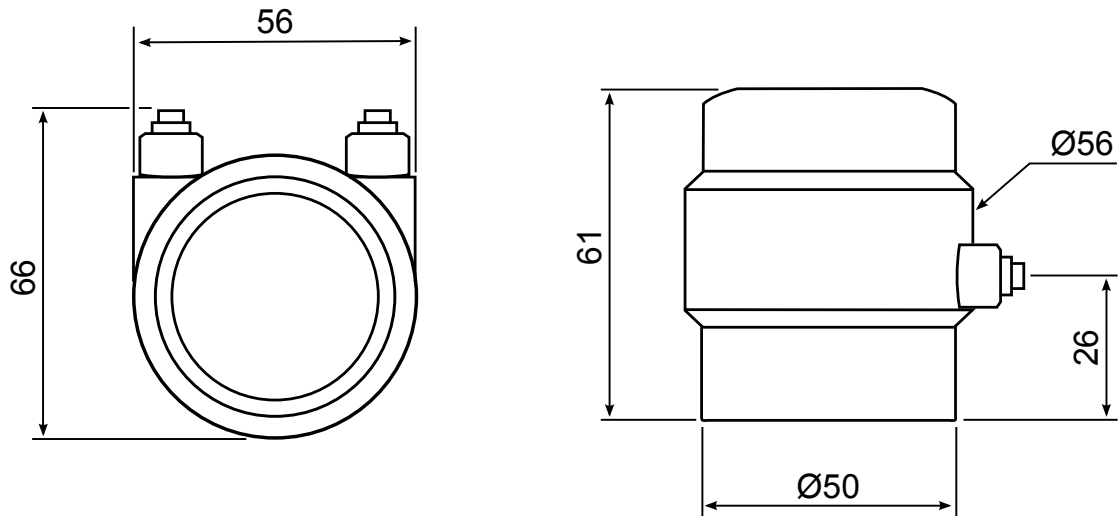
Features

- Analogue and digital output
- 750m depth rating
- RS232 and RS485
- 50m range

Applications

- ROV and AUV auto-altitude
- Sub-sea ranging devices
- Seabed scour monitoring
- Small vehicles

Specification



Not to scale, dimensions in mm.

Acoustic	
Operating frequency	500kHz
Beamwidth	6° conical
Maximum range	50m
Minimum range	0.5m
Digital resolution	1mm

Electrical and Communication	
Analogue output	0 – 5V DC
Communication protocol	RS485, RS232
Serial output format	ASCII, NMEA, DBT
Topside control	Computer with standard serial port, SeaHub or USB-RS232/RS485 converter
Power requirements	12 – 48V, 1.72VA

Physical	
Weight in air	200g
Weight in water	60g
Depth rating	750m
Operating temperature	-10 to 35°C
Storage temperature	-20 to 50°C

Specifications subject to change according to a policy of continual development.

Document: 0650-SOM-00002, Issue: 02