

OCEANTOOLS

Innovative Products & Solutions for use in some of the world's harshest environments

OceanTools DigiCP Digital Cathodic Potential Measurement System



The OceanTools DigiCP is an innovative product that combines a traditional CP probe with modern digital electronics. The system may be supplied with both Contact and Proximity probes. Unlike conventional CP systems, the DigiCP digitises the analogue CP voltage subsea and transmits it to the surface via a twisted pair in the ROV umbilical or via a data multiplexer.

The subsea unit comprises either a contact probe or a proximity probe with a 3m cable plus a subsea housing containing the conversion electronics. Units are available in 1000m, 2000m and 3000m depth ratings. RS232 and RS485 data is simultaneously available from the DigiCP.

On the surface, the data is displayed on a simple Windows application. The data may also be outputted to a data logger or to, for example, an OceanTools video overlay unit.

KEY FEATURES

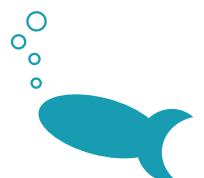
Works in Contact or Proximity mode

Simultaneous RS232 and RS485 outputs

Noise-immune

1000m, 2000m & 3000m variants

Optional T-bar and Springy Fishtail handles for ROV manipulator interfacing



OCEANTOOLS

Innovative Products & Solutions for use in some of the world's harshest environments

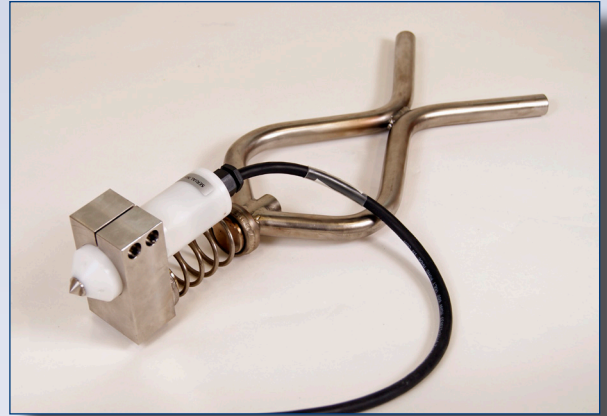
SPECIFICATIONS

CP Probe

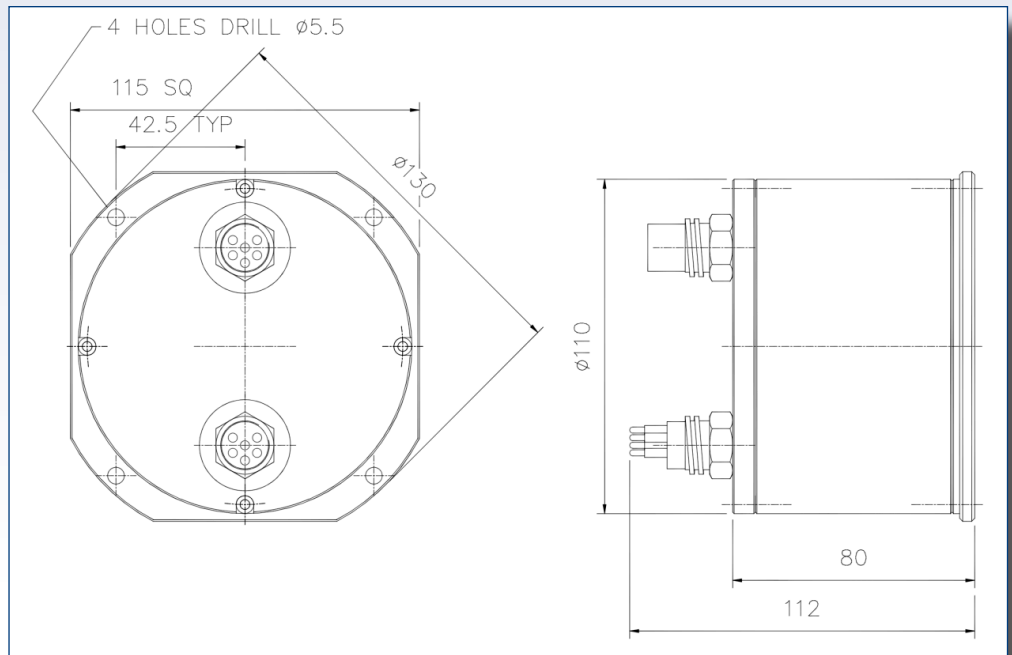
Probe type	Silver/Silver chloride half cell
Accuracy	±5mV
Length	126mm
Diameter	39mm
Weight	260g

Subsea Housing (1000m unit)

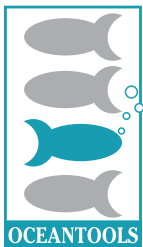
Height	80mm
Diameter	110mm
Weight in air	0.8kg
Weight in water	0.25kg
Depth ratings	1000m, 2000m, 3000m
Power requirements	10 - 36VDC @ 0.5A
Data transmission	RS232, RS485 @ 4800 Baud



Probe mounted in Springy Fishtail handle



Dimensions and mounting detail



OceanTools Ltd
OceanTools House
Claymore Drive
Aberdeen AB23 8GD UK

Tel + 44 1224 709606
Email sales@oceantools.co.uk
Web www.oceantools.co.uk

Represented by: